



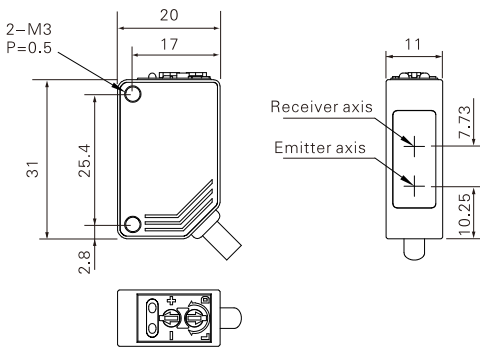
NEW!

Appearance

Sensing type	Diffuse reflection		Convergent reflective	
Sensing distance	30cm	100cm	14cm	
Output type	NPN/PNP Open-collector			
Switch type	Selectable L.on/D.on			
Response time	< 1ms			
Light source	Infrared light LED(940nm modulation)			
Operating voltage	10~30V DC			
No-load supply current	≤20mA			
Load current	≤100mA(24V DC)			
Ambient temperature	-20°C~+55°C, No freezing			
Ambient humidity	35%~85%RH, No condensation			
Protective circuit	Power reverse polarity, output reverse polarity, surge, short circuit			
Degree of protection	IP65			
Material	PBT+Fiberglass (Housing) , PMMA (Lens)			
Connection method	2M 3core cable			
Weight	≈50g			
Accessories	Screwdriver			
Model No.	NPN	PTV-D30N HOT	PTV-D70N	PTV-X09N
	PNP	PTV-D30P	PTV-D70P	PTV-X09P

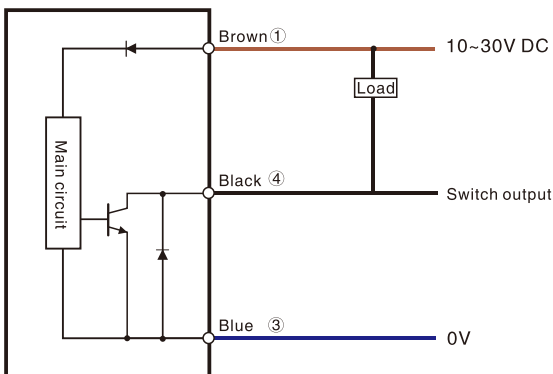
Dimensions

Unit: mm

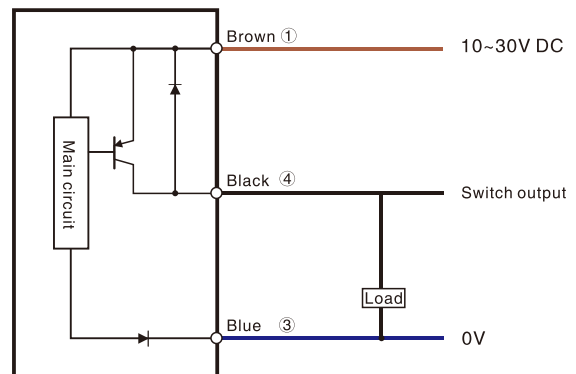


Circuit diagram

NPN Output



PNP Output



- Fiber Optic
- Slot Sensors
- Photoelectric**
- Laser
- Proximity
- Displacement
- Magnetic
- Contact
- Area
- Ultrasonic
- Vision
- Vibration
- Temperature
- Annexes

Guidance

Photoelectric

- Cylindrical
- Square**
- Flat type
- Thin type
- BGS
- Transparent detection
- Color/Mark Detection
- TOF reflective
- IP69K high protection type
- Anti-glare type

Reflectors

- Reflectors

Square

PTV Series



NEW!

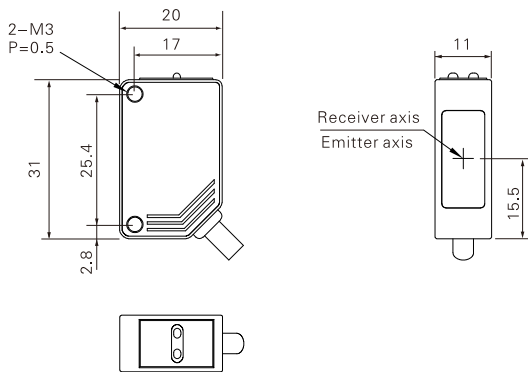
Appearance

Sensing type	Thru-beam				
Sensing distance	20m(fixed)	20m	5m		
Output type	NPN/PNP Open-collector				
Switch type	Selectable L.on/D.on, Model optional		Selectable L.on/D.on		
Response time	< 5ms				
Light source	Infrared light LED(940nm modulation)				
Operating voltage	10~30V DC				
No-load supply current	Transmitter end: ≤20mA; Receiving end: ≤20mA				
Load current	≤100mA(24V DC)				
Ambient temperature	-20°C~+55°C, No freezing				
Ambient humidity	35%~85%RH, No condensation				
Protective circuit	Power reverse polarity,output reverse polarity,surge,short circuit				
Degree of protection	IP65				
Material	PBT+Fiberglass (Housing) , PMMA (Lens)				
Connection method	2M 3core cable				
Weight	≈50g				
Accessories	Screwdriver				
Model No.	NPN	PTV-TM20NO	PTV-TM20NC	PTV-TM20AN	PTV-T500N
	PNP	PTV-TM20PO	PTV-TM20PC	PTV-TM20AP	PTV-T500P

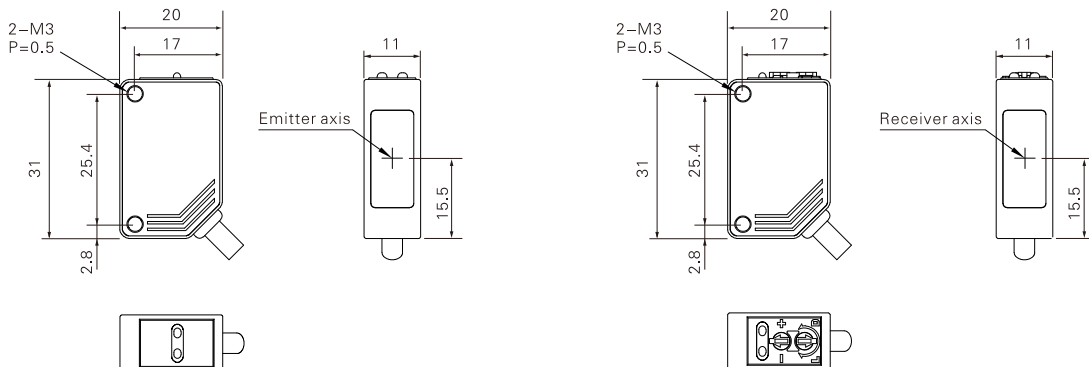
Dimensions

Unit: mm

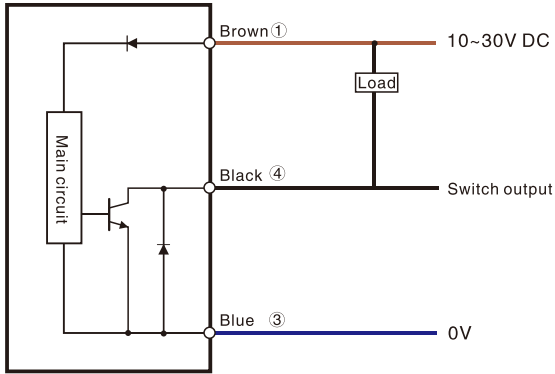
PTV-TM20NO/PO/NC/PC



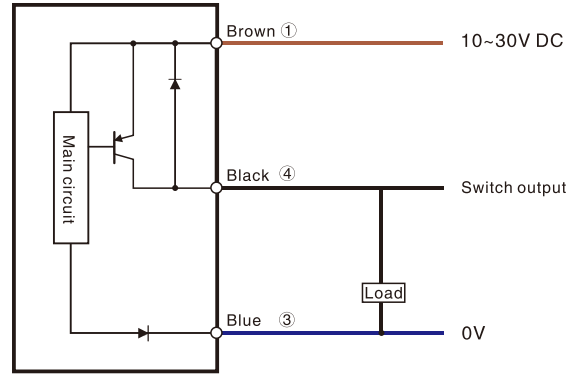
PTV-TM20AN/AP、PTV-T500N/P



NPN Output



PNP Output



Fiber Optic

Slot Sensors

Photoelectric

Laser

Proximity

Displacement

Magnetic

Contact

Area

Ultrasonic

Vision

Vibration

Temperature

Annexes

Guidance

Photoelectric

Cylindrical

Square

Flat type

Thin type

BGS

Transparent detection

Color/Mark Detection

TOF reflective

IP69K high protection type

Anti-glare type

Reflectors

Reflectors