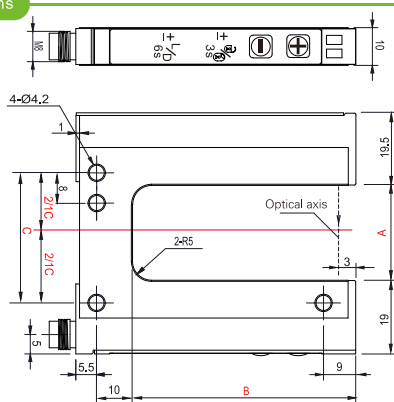


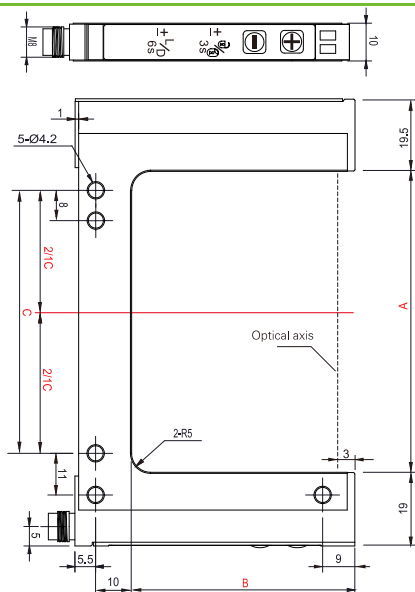
Appearance

Slot depth	42mm	59mm	59mm	59mm
Slot width	30mm	50mm	80mm	120mm
Sensing distance	30mm	50mm	80mm	120mm
Diameter of the min detector	0.05mm			
Output mode	NPN & PNP dual output			
Switch mode	Selectable L.on/D.on			
Light source	Laser (670nm) modulated light, class1			
Ambient brightness	≤ 10000Lux			
Operating voltage	12~24V DC ± 10%			
No-load current	40mA			
Load current	100mA			
Residual voltage	< 2V@1L=100mA			
Response frequency	10KHz			
Protective circuit	Reverse polarity protection, Output short circuit protection, Interference suppression			
Ambient temperature	-20°C~+50°C			
Storage temperature	-30°C~+80°C			
Degree of protection	IP65			
Shell material	Al, glass			
Connection method	M8 4pin plug			
Weight	55g to 128g			
Model No.	KLM06-0304NP	KLM06-0506NP	KLM06-0806NP	KLM06-1206NP

Dimensions



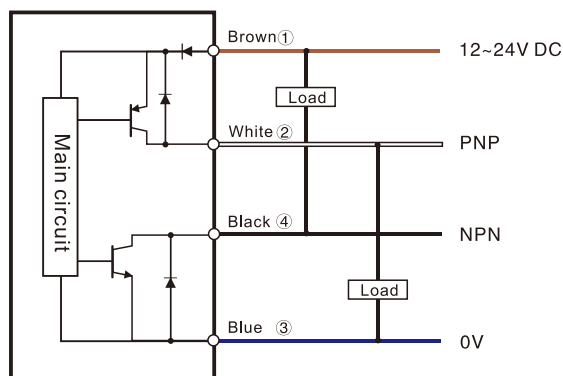
Model number	A	B	C
KLM06-0304NP	30	42	42



Model number	A	B	C
KLM06-0506NP	50	59	40
KLM06-0806NP	80	59	70
KLM06-1206NP	120	59	110

Circuit diagram

NPN/PNP



Fiber Optic

Slot Sensors

Photoelectric

Laser

Proximity

Displacement

Magnetic

Contact

Area

Ultrasonic

Vision

Vibration

Temperature

Annexes

Guidance

Slot type sensors

Micro slot type

Slot type

Wide slot type

Label detection