



Economical Type

**NEW!**

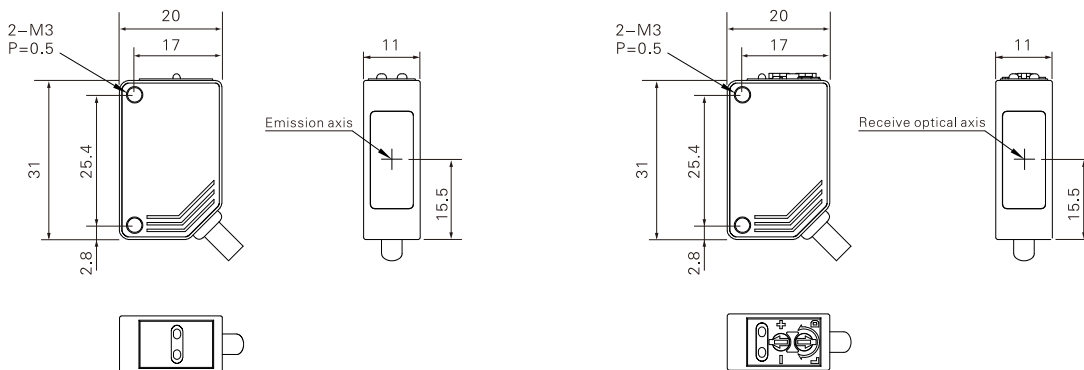
Appearance

Detection mode	Diffuse reflection-BGS	Diffuse reflection	Retro-reflection	Thru-beam
Detection distance	1-15cm	40cm	5m	30m
Set the distance	2-15cm	-	-	-
Spot diameter	± Ø1.5mm/15cm	± Ø1.5mm/40cm	± Ø20mm/5m	± Ø60mm/30m
Indicator light	Working indicator light: green; Action indicator: Red			
Sensitivity regulation	6 circle potentiometer	Single coil potentiometer		
Output mode	NPN or PNP open collector			
Switch mode	L.on (light-in action)/D.on (light-shielding action) can be switched			
Response time	≤2ms			
light source	Laser 650nm (modulation) Class 2			
Working voltage	10-30V DC			
Current consumption	≤20mA			
Environmental illumination	Incandescent lamp: 3000 lux or less / Sunlight: 5000 lux or less			
Ambient temperature	-25°C~+55°C, no freezing			
Ambient humidity	35%~85% RH, no condensation			
Protection circuit	Power reverse polarity protection, output reverse polarity protection, surge protection, short circuit protection		Power reverse polarity protection, surge protection, short circuit protection	
Degree of protection	IP65			
Material	PBT + glass fiber (shell), PMMA (lens)			
Way out	2M/3 core cable			
Anti-vibration	10~50Hz, 0.5mm amplitude, 2 hours each in X, Y, Z directions			
Accessories	Screwdriver			
Model No.	NPN PNP	<b>ELE-B15N</b> <b>ELE-B15P</b>	<b>ELE-D40N</b> <b>ELE-D40P</b>	<b>ELE-RM05N</b> <b>ELE-RM05P</b>
				<b>ELE-TM30N</b> <b>ELE-TM30P</b>

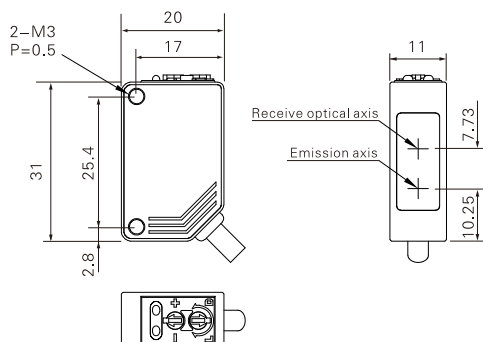
### Dimensions

Unit: mm

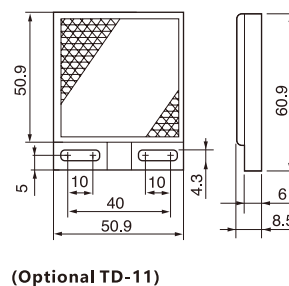
#### ELE-TM30N/P



#### ELE-B15N/P, ELE-D40N/P, ELE-RM05N/P



#### ELE-RM05 With reflector



(Optional TD-11)

- Fiber Optic
- Slot Sensors
- Photoelectric
- Laser**
- Proximity
- Displacement
- Magnetic
- Contact
- Area
- Ultrasonic
- Vision
- Vibration
- Temperature
- Annexes

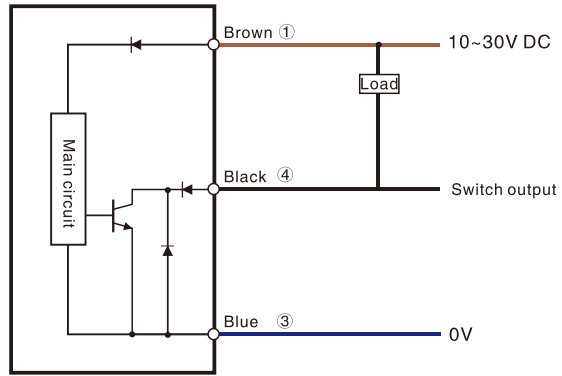
#### Guidance

- Laser sensors
- Square
- BGS**
- Transparent objects detection

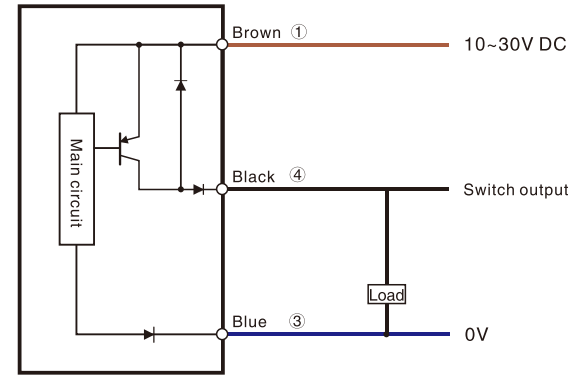
# Square

## Circuit diagram

### NPN Output



### PNP Output



Laser

Fiber Optic

Slot Sensors

Photoelectric

Laser

Proximity

Displacement

Magnetic

Contact

Area

Ultrasonic

Vision

Vibration

Temperature

Annexes

Guidance

Laser sensors

Square

BGS

Transparent objects  
detection