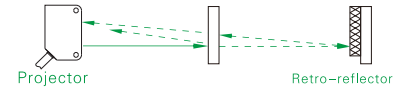


Transparent Detection

EST Series

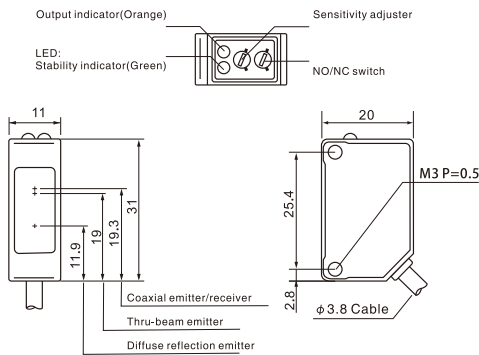
Photoelectric



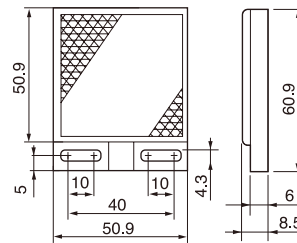
Appearance		
Sensing type	Retro-reflection	
	General Type	Coaxial beam
Sensing distance	1~200cm	0~200cm
Beam size	φ 300mm/200cm	φ 60mm/200cm
Output type	NPN/PNP Open-collector, ≤100mA/30V DC	
Switch type	Selectable L.on/D.on	
Indicator	Motion indicator: Green; Output indicator: Orange	Output indicator: Orange
Response time	0.5 ms	
Light source	Red light LED(66nm)	
Operating voltage	10~30V DC ± 10%	
Current consumption	<20mA	
Ambient brightness	Sunlight≤10000Lux, Incandescent lamp≤3000Lux	
Ambient temperature	-25℃~+55℃, No freezing	
Ambient humidity	35%~85%RH, No condensation	
Degree of protection	IP67	
Connection method	2M 3 core cable	
Material	PBT+Fiberglass (Housing); PMMA(Lens)	
Accessories	Bracket	
Model No.	NPN EST-200N PNP EST-200P	EST-X200N (HOT) EST-X200P

Dimensions

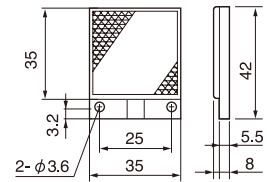
Unit: mm



EST-200 Reflector:



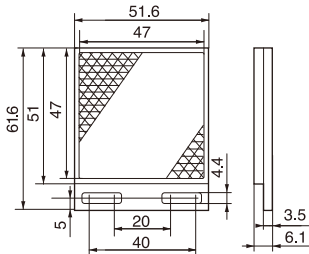
(Standard TD-11)



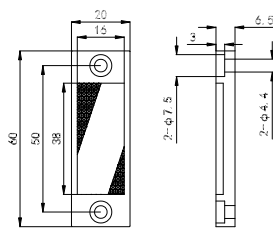
(Optional TD-12)

Noted:
Coaxial products only have one orange LED output indicator.

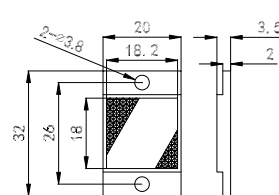
EST-X200 Reflector:



(Standard TD-13)

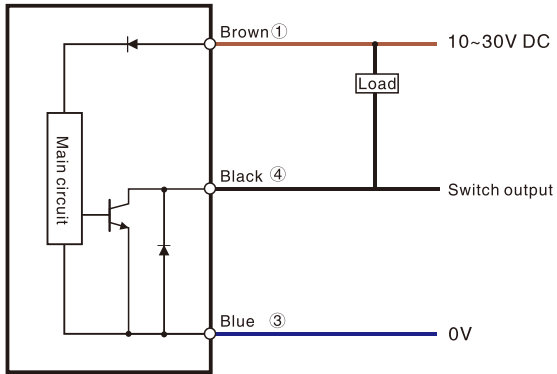


(Optional TD-14)

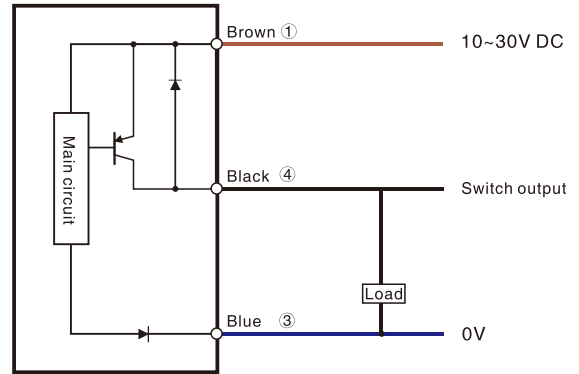


(Optional TD-15)

NPN Output



PNP Output



Fiber Optic

Slot Sensors

Photoelectric

Laser

Proximity

Displacement

Magnetic

Contact

Area

Ultrasonic

Vision

Vibration

Temperature

Annexes

Guidance

Photoelectric

Cylindrical

Square

Flat type

Thin type

BGS

Transparent detection

Color/Mark Detection

TOF reflective

IP69K high protection type

Anti-glare type

Reflectors

Reflectors